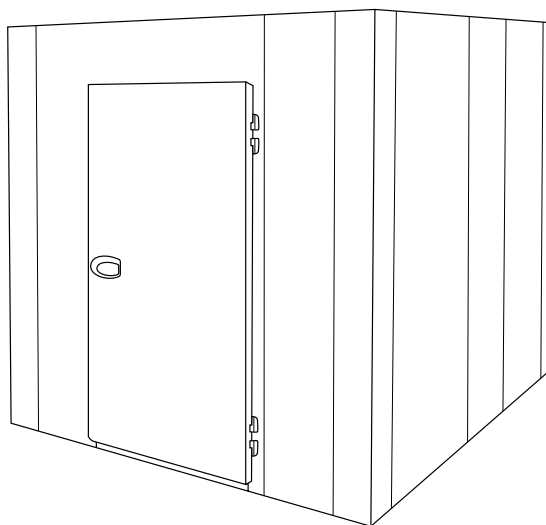


SUPER 10[®]

MODULAR COLD AND FREEZER ROOMS

TRANSLATION OF THE ORIGINAL INSTRUCTIONS



Revision 01 - 10/2024

EN USE AND MAINTENANCE MANUAL



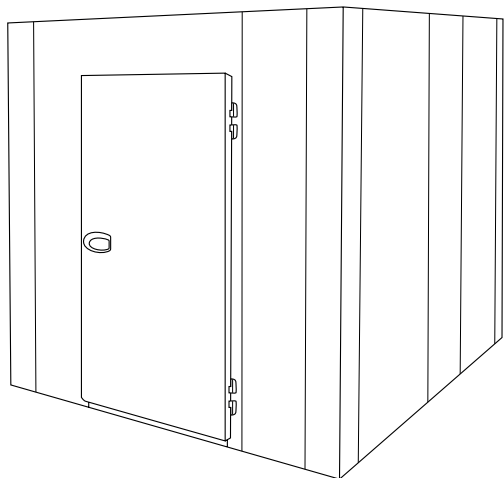
TABLE OF CONTENTS

TABLE OF CONTENTS	3	8. USE	37
TECHNICAL DATA SHEETS	5	8.1. First use	37
USE AND MAINTENANCE MANUAL	7	8.2. Switch-on	37
1. GENERAL PRELIMINARY INFORMATION .8		8.3. Product loading	38
1.1. Purpose of the document	8	8.4. Switching off	38
1.2. Supply and preservation	8	9. CLEANING	39
1.3. Consultation notes	8	9.1. Safety Warnings for Cleaning	39
1.4. Regulatory framework	9	9.2. Table of cleaning operations	40
1.5. Warranty	9	9.3. Cleaning the floor panel	40
2. SAFETY WARNINGS	10	9.4. Cleaning the monoblock refrigeration unit (if present)	40
2.1. Obligations and prohibitions	11	10. MAINTENANCE	41
2.1.1. Obligations	11	10.1. Routine maintenance	41
2.1.2. Prohibitions	11	10.1.1. Inspecting after delivery	41
3. IDENTIFICATION AND DESCRIPTION. 12		10.2. Extraordinary maintenance	42
3.1. Intended use	12	10.2.1. Replacement of monoblock refrigeration unit (if fitted)	42
3.2. Description	12	11. DIAGNOSTICS	43
3.3. Main components	13	12. DECOMMISSIONING AND DISPOSAL 44	
4. RECEIPT AND HANDLING	14	12.1. Long periods of inactivity	44
4.1. Equipment receipt	14	12.2. Disposal	44
4.1.1. Handling with packaging	14	13. ATTACHMENTS	45
4.1.2. Packaging removal and inspection	15		
4.1.3. Packaging disposal	15		
4.2. Handling	16		
4.2.1. Version and weight division for handling	16		
4.2.2. Handling operations	16		
5. INSTALLATION	17		
5.1. Installation site	17		
5.1.1. Features of the installation site	17		
5.1.2. Minimum safety distances	18		
5.2. Mounting the cold room with floor	19		
5.3. Mounting the cold room without a floor	27		
6. CONNECTIONS	35		
6.1. Electrical connection	35		
6.1.1. Power supply connection	35		
7. CONTROL PANEL	36		

TECHNICAL DATA SHEETS

Super10

Modular cold and freezer room, insulation thickness **80/100 mm**



SUITABLE TO STORE



MEAT



FROZEN GOODS



PASTRIES



**FRUITS AND
VEGETABLES**



CURED MEATS



FISH*



DAIRY PRODUCTS*

*Only with stainless steel interior fittings and without floor in the **TN** version.

TECHNICAL FEATURES

Version		<ul style="list-style-type: none"> ▪ TN: Normal temperature ▪ BT: Low temperature
Available module widths		400 - 600 - 800 - 1000 - 1200 mm
T* panel width		400 mm
Normal operating temperature TN		0°C / +6°C
Low operating temperature BT		-20°C / -18°C
Insulation	Material Type	Rigid polyurethane foam (PUR)
	Insulation thickness	80 - 100 mm
	Density	40 - 42 kg/m ³

USE AND MAINTENANCE MANUAL

1. GENERAL PRELIMINARY INFORMATION

Thank you for purchasing our equipment.

Carefully read this manual before carrying out installation, maintenance and/or before using the equipment.

This manual is attached to the equipment **SUPER10**.

The Manufacturer is not liable for breakages, accidents or various problems due to non-compliance with and in any case the non-application of the provisions contained in this manual.

1.1. PURPOSE OF THE DOCUMENT

The **User and Maintenance Manual** represents the reference document, drawn up by the Manufacturer of the equipment, aimed at operators and specialised personnel who will come into contact with it during its entire life cycle.

The purpose of the manual is to provide information for the correct use of the equipment, from installation to disposal, bringing attention to the dangers that may arise from incorrect use and taking into account the reasonably foreseeable incorrect behaviour of the operator.





1.2. SUPPLY AND PRESERVATION

The manual is in **electronic format**.

This manual is an integral part of the equipment.

Keep this manual in a place that is accessible to all users for future consultation. In case of transfer or sale of the equipment, be sure to provide the new user with this manual, so that they may be properly informed about the installation procedure, the use and safety requirements.

1.3. CONSULTATION NOTES

SYMBOL	TYPE	DESCRIPTION
-	BOLD TEXT	Highlights some significant sentences and references in the text.
	GENERIC OR DEDICATED WARNING SIGN	It highlights risks to the health and safety of authorised personnel and/or risks of damage to or malfunction of the machine.
	GENERIC OR DEDICATED PROHIBITION SIGN	Emphasises the prohibition to perform an action.
	GENERIC OR DEDICATED OBLIGATION SIGNAL	Indicates a prescription (obligation to perform an action).
	INFORMATION	Reports relevant information.

1.4. REGULATORY FRAMEWORK

The equipment is designed according to the regulatory compendium described in the accompanying Declaration of Conformity, as well as the requirements, which can be downloaded directly from the manufacturer's institution website.

1.5. WARRANTY

The warranty terms established by law apply. Should the equipment be faulty, contact the nearest Authorised Service Centre, or the reference Dealer.

The following documentation must be forwarded in order to repair the equipment:

- Serial number
- Copy of the invoice with the date of purchase of the equipment
- Description of the fault.

2. SAFETY WARNINGS



The Manufacturer cannot be held liable for any damage, suffered by people or things, caused by non-compliance with the aforementioned requirements or deriving from tampering with even a single part of the equipment and from the use of non-original spare parts.



This professional equipment must only be used and serviced by adults (> 18 years in Europe or other limits defined by the local regulatory framework) with normal physical and mental health and adequately trained and informed on the subject of health and safety in the workplace.



WARNING

Electrical hazard. Disconnect the power supply before carrying out maintenance work.



Use appropriate personal protective equipment for body protection (gloves, insoles with thermal insoles, jacket, etc..) and only stay inside the equipment for as long as is strictly necessary.



Only qualified technical personnel should carry out maintenance work.



Only use original spare parts.



It is strictly forbidden to make changes to the equipment.



Do not start the equipment with wet hands or when there is contact with water.

2.1. OBLIGATIONS AND PROHIBITIONS

2.1.1. OBLIGATIONS

- Only qualified technical personnel should perform the installation work (see chapter '**INSTALLATION**')
- Keep the area around the equipment free and clean
- Keep the entire perimeter of the equipment free so that there is air circulation
- For food contact only use materials and articles: contamination-free, compliant with regulations and declared MOCA/FCM
- Wait until the set temperature is reached before loading the product into the equipment.

2.1.2. PROHIBITIONS

- Do not install the equipment if it appears damaged upon receipt
- Do not allow children to play with the equipment
- Do not use the equipment as a work surface or as a support surface
- Do not modify or tamper with the equipment in any way
- Do not place or store flammable liquids or materials, or easily ignitable objects inside the equipment or in the immediate vicinity
- Do not place any kind of material (boxes or other) on the equipment
- Do not place the equipment under direct exposure to sunlight and all other forms of thermal radiation
- Do not place the equipment inside a room with high relative humidity (potential formation of condensate)
- Do not place the equipment inside a closed niche or against the wall
- Do not obstruct the air vents
- Do not set temperatures lower than permitted
- Do not damage and bend the evaporator flaps and the coolant pipes
- Do not store explosive substances, such as pressurised containers with flammable propellants, in the equipment
- Do not store chemical and flammable products
- Do not stay inside the equipment longer than necessary
- Do not enter unless externally assisted by at least one colleague
- Do not enter with living animals
- Children cannot enter
- Monitor and keep children away from the place where the cold and freezer room is installed.

3. IDENTIFICATION AND DESCRIPTION

3.1. INTENDED USE

The equipment is a **MODULAR COLD AND FREEZER ROOM** for professional use. Allows the storage of packaged and/or unpackaged food.

Food must not come into contact with materials and/or objects:

- contaminated
- not declared MOCA/FCM compliant.

The Manufacturer cannot be held liable for uses other than those indicated.



Do not use this equipment to store products other than those intended.



Do not introduce pressurised containers with flammable propellant into the equipment.



Do not introduce living animals, dangerous or contaminated materials, objects or substances into the equipment.

3.2. DESCRIPTION

The structure of the equipment consists of modular panels of variable widths of 400 - 600 - 800 - 1000 - 1200 mm produced in thicknesses of 80 - 100 mm, in combination with corner panels of 200 - 220 mm.

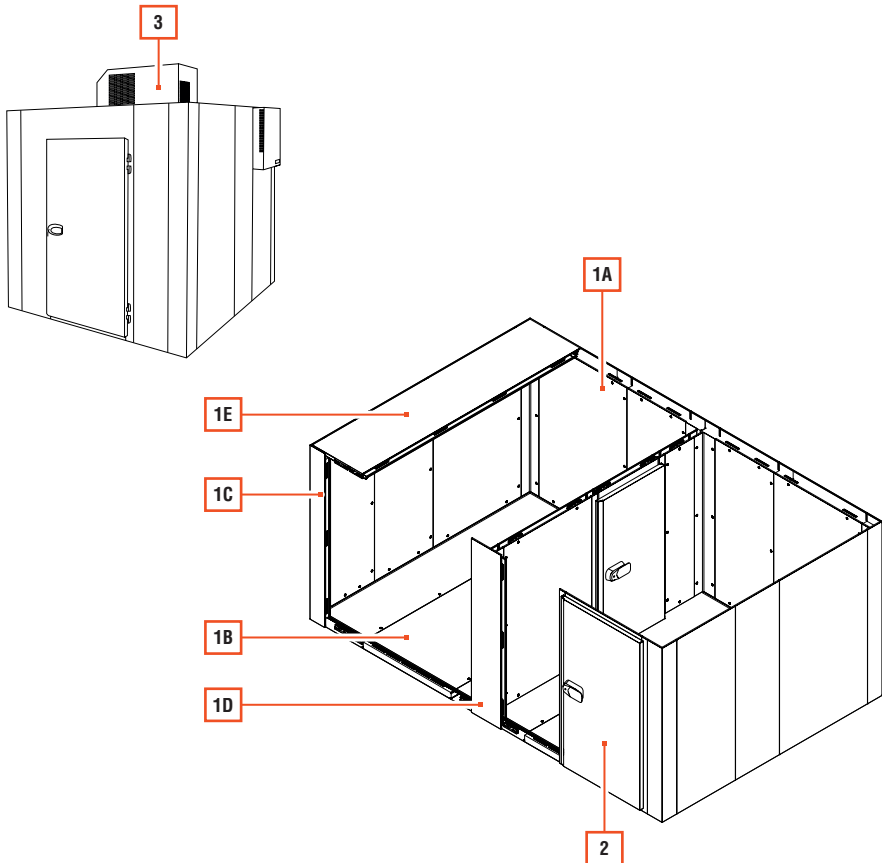
If a fixed, thermally broken partition is already present, the equipment comprises two 400 mm 'T' panels.

The construction materials are designed not to absorb odours, not to allow pests to lurk and not to encourage the development of fungi and/or mould.

The panels can be made of stainless steel or plastic-coated pre-painted steel.

The floor and ceiling panels are positioned concealed within the vertical panels, and a sanitary plastic profile is applied along the perimeter of the internal floor joint.

3.3. MAIN COMPONENTS



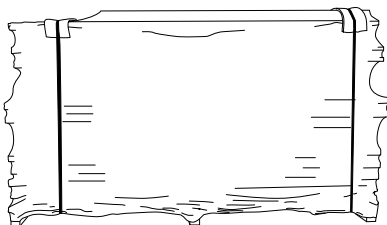
POS.	ELEMENT
1	PANEL STRUCTURE:
	▪ WALL PANEL (1A)
	▪ CONCEALED FLOOR PANEL (1B)
	▪ CORNER PANEL (1C)
	▪ T-PANEL (1D)
▪ CEILING PANEL (1E)	
2	DOOR BUFFER PRE-MOUNTED ON DOOR COMPARTMENT
3	MONOBLOCK REFRIGERATION UNIT (OPTION ON REQUEST)

4. RECEIPT AND HANDLING

4.1. EQUIPMENT RECEIPT

The component parts of the equipment are delivered on pallets packed with shrink-wrapped nylon.

Upon delivery, check that the packaging is intact and that it has not been damaged during transport.



4.1.1. HANDLING WITH PACKAGING



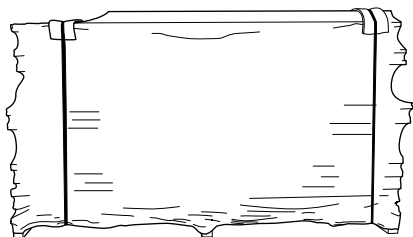
Only qualified technical personnel should perform handling operations on the equipment.



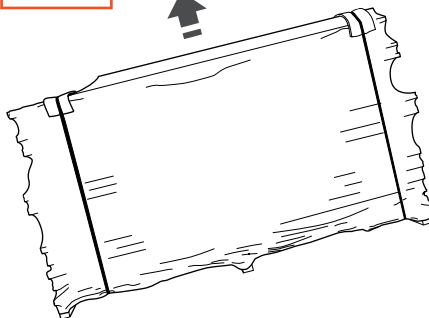
The manufacturer accepts no liability in the event of non-compliance with current safety regulations.

Always handle the packaging in an upright position (see the instructions on the packaging).

YES

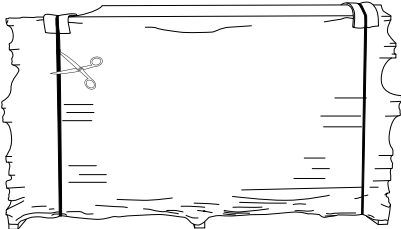


NO



4.1.2. PACKAGING REMOVAL AND INSPECTION

For the removal of the packaging:

STEP	ACTION	PICTURE
1	Remove the straps.	
2	Remove the shrink-wrapped nylon.	
3	Lift the panels to remove them from the pallet. Position the panels at the installation site. Note: a minimum of 2 operators are required to manually lift and handle the equipment parts.	



Keep the packaging pallet.

After removing all packaging materials, check for faults.

If any anomalies are found, do not install the equipment. Contact your Dealer or Authorised Service Centre within 8 days from the date of purchase.

4.1.3. PACKAGING DISPOSAL

The materials used for packaging are recyclable and must be collected.



Separate the various packaging materials and dispose of them in accordance with the regulations in force in the country of installation.

4.2. HANDLING

4.2.1. VERSION AND WEIGHT DIVISION FOR HANDLING



Packaging size and weight vary depending on the order.

4.2.2. HANDLING OPERATIONS

Carefully read the instructions before moving the equipment.



Only qualified technical personnel should perform handling operations on the equipment.



The manufacturer accepts no liability in the event of non-compliance with current safety regulations.



Move the equipment while keeping it upright at all times. Do not tilt the equipment.

Lifting/handling of equipment parts must be performed by 2 operators.

Lift the parts manually, gripping them by the sides.



CAUTION

When handling, take care not to damage the equipment itself, persons, animals and/or things in the immediate vicinity.

5. INSTALLATION



Only qualified technical personnel should perform installation operations on the equipment.



CAUTION

Do not install and use the equipment in ATEX classified environments, locations or areas.



The manufacturer accepts no liability in the event of non-compliance with current safety regulations.

5.1. INSTALLATION SITE

5.1.1. FEATURES OF THE INSTALLATION SITE



Do not install the equipment outdoors, directly exposed to the weather.



Do not install in hazardous and/or ATEX classified areas.

The installation room must be a room with adequate and controlled temperature and humidity in order to avoid malfunctions and condensation. Ensure that there is a sufficient exchange of air in the installation room (even when the salesroom is closed), so as to guarantee the proper functioning of the equipment.

Follow the reported permissible environmental conditions:

PERMITTED ENVIRONMENTAL CONDITIONS

Ambient temperature	Refer to the manual of the monoblock refrigeration unit or remote motor supplied with this manual (if applicable)
Air humidity	
Support tray	<ul style="list-style-type: none"> ▪ Flat and level ▪ With a load capacity calculated by a professional according to the weight and maximum load of the equipment.

Do not use the equipment outside the permitted conditions of use and operation.

Higher installation room temperatures or insufficient recirculation air can reduce the performance of the equipment with deterioration of the contained products and increased energy consumption.

When installing the equipment in an outdoor environment, place it in a location protected from the weather.



Do not obstruct the supply and return air ventilation openings in the equipment.



Place the equipment away from heat sources and open flames.

5.1.2. MINIMUM SAFETY DISTANCES

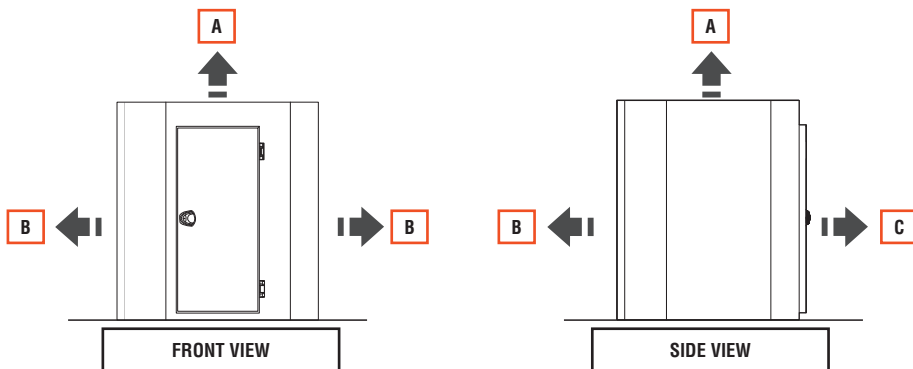


The minimum safety distances described are considered for a room without a refrigerated monoblock.

In order to ensure proper functioning of the equipment and thus proper air circulation, observe the minimum safety distances from side walls, other equipment and/or heat sources.

MINIMUM SAFETY DISTANCES

A	Upper	40 cm (without ceiling monoblock)
B	Side / Rear	5 cm
C	Door side	Varies according to the door chosen



5.2. MOUNTING THE COLD ROOM WITH FLOOR



Before installation, consult a qualified professional to carry out structural calculations in accordance with local regulations.

The manufacturer is not liable for any structural collapse or yielding of floors.



Use personal protective equipment PPE and provisional works during installation.



Two operators are required for assembly.

Use the supplied hook spanner to mount the equipment.



The panels must be installed with care that, when viewed from the inside of the cold room, the line of the hook holes of each panel is always to the right of the panel itself.

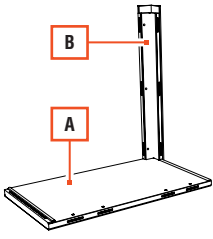
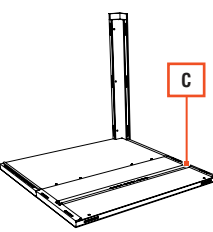


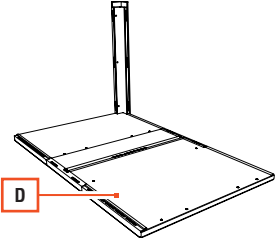
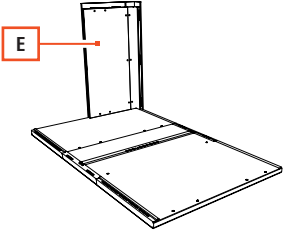
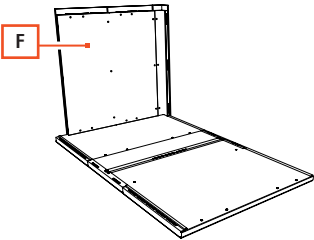
The floor of the facility where the cold room is to be installed must be perfectly level.



Observe the assembly sequence of the panels as indicated in the enclosed executive drawing.

To perform the **assembly of the cold room with floor**:

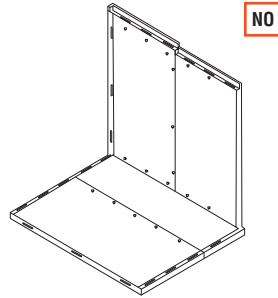
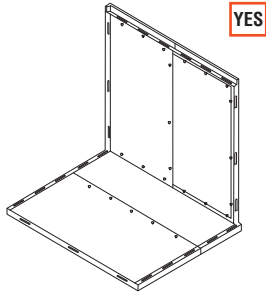
STEP	ACTION	PICTURE
1	<p>Position the first floor panel (A) and the corner panel (B) and tighten the assembly hooks</p> <p>Note: When placing floor panels against existing walls, leave the necessary space for the installation of wall panels.</p> <ul style="list-style-type: none"> ▪ 20 mm for 80 mm thick cold rooms ▪ At least 50 mm for 100 mm thick cold rooms, 	
2	<p>Place the panel on the floor (C) and tighten the assembly hooks.</p>	

STEP	ACTION	PICTURE
3	Position the floor panel (D) .	
4	Position the wall panel (E) . Tighten the assembly hooks, not all the way.	
5	Place the wall panel (F) .	



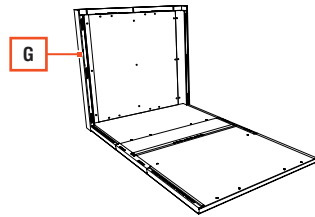
When installing the panels, check their alignment.

When closing the hooks, the panels move vertically relative to each other. Then limit the movement of the panels by checking that the upper sides are aligned with each other before tightening the hooks.

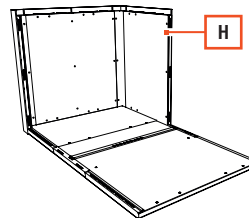


STEP	ACTION	PICTURE
------	--------	---------

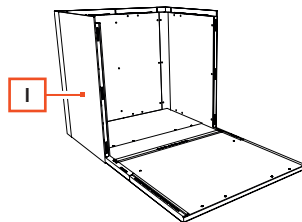
6 Position the panel at an angle (**G**),



7 Position the wall panel (**H**).

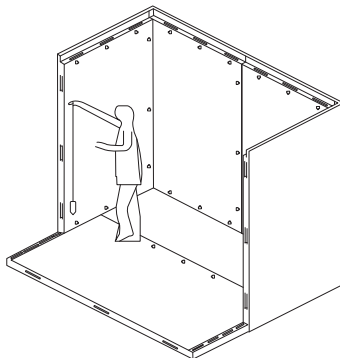


8 Place the wall panel (**I**).

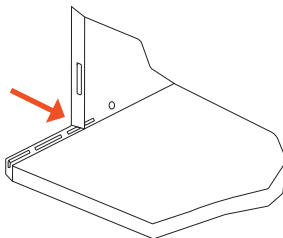




When laying the wall panels (intermediate or corner panels) ensure that they are vertically aligned. Then tighten the hooks.



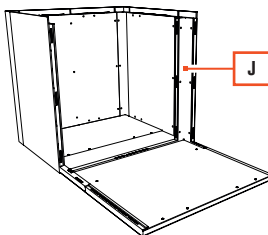
Ensure that the end of the vertical panel always coincides with the axis of the floor panel hook as shown in the figure.



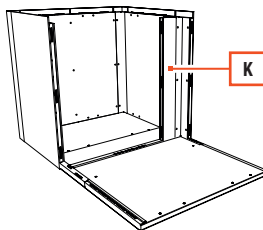
STEP ACTION

PICTURE

- 9 Position the 'T' panel (**J**).



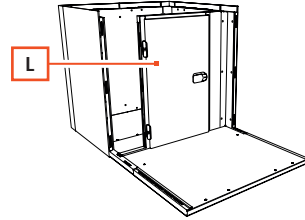
- 10 Position the wall panel (**K**).



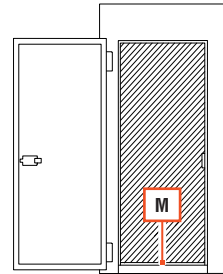
STEP ACTION

PICTURE

- 11 Place the pre-mounted door buffer on door compartment (**L**).



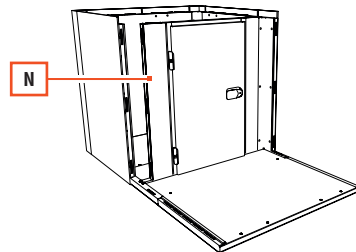
If the cold room is equipped with a pre-assembled, hinged door, remove the L-shaped corner profile located at the bottom of the door compartment (**M**) before installing the door compartment. The profile is provided to prevent damage to the door panel during transport. To remove the profile, use the 4 fixing screws.



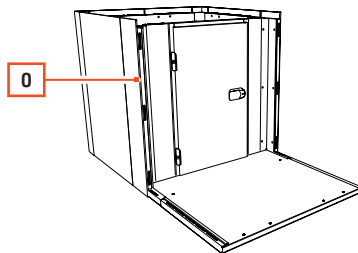
STEP ACTION

PICTURE

- 12 Place the wall panel (**N**).



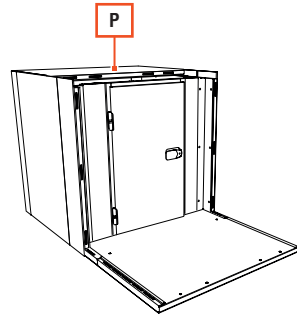
- 13 Position the panel at 'T' (**O**).



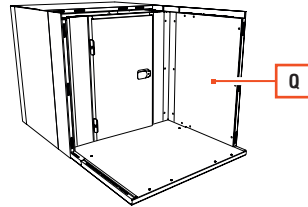
STEP ACTION

PICTURE

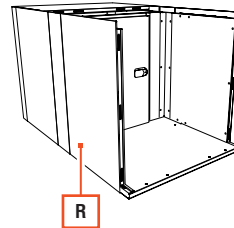
- 14 Position the ceiling panel (**P**) by wedging it between the wall panel profiles.
Note: the ceiling panel must rest against the wall panels.



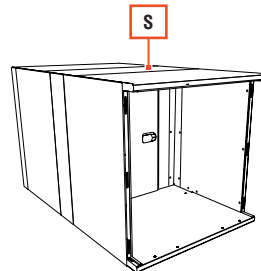
- 15 Position the wall panel (**Q**).

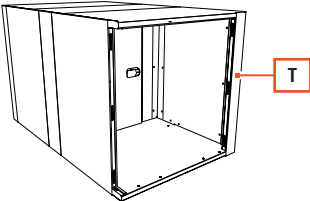
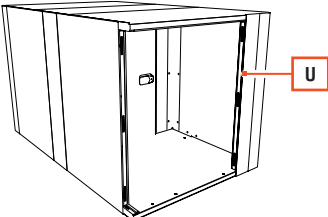
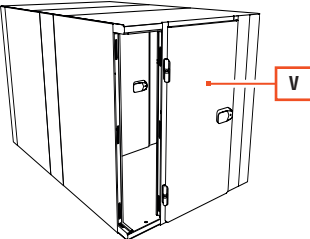
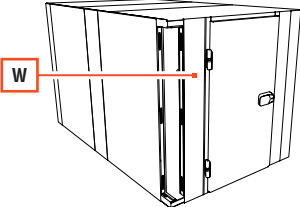


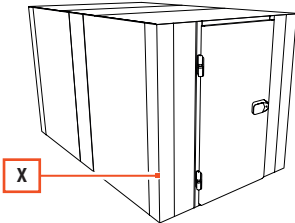

- 16 Place the wall panel (**R**).



- 17 Position the ceiling panels (**S**).



STEP	ACTION	PICTURE
18	Position the panel at an angle (T),	 A perspective line drawing of a rectangular cabinet with its front door open. A red line points from a box labeled 'T' to the right edge of the door frame.
19	Position the wall panel (U).	 A perspective line drawing of the cabinet with the door closed. A red line points from a box labeled 'U' to the right edge of the cabinet's side panel.
20	Place the pre-mounted door buffer on door compartment (V).	 A perspective line drawing of the cabinet with the door open. A red line points from a box labeled 'V' to a small rectangular compartment on the inner side of the door.
21	Position the wall panel (W).	 A perspective line drawing of the cabinet with the door closed. A red line points from a box labeled 'W' to the left edge of the cabinet's side panel.

STEP	ACTION	PICTURE
22	Position the panel at an angle (X),	
23	Remove the protective film on the panels (both external and internal).	
24	Position the end caps at the hook manoeuvring holes.	



When finished, check that the assembly is correct, and tighten the assembly hooks, constantly checking that the panels settle correctly into each other.



Ensure that the surfaces are aligned with each other to ensure that the temperature inside the cold room is maintained.

5.3. MOUNTING THE COLD ROOM WITHOUT A FLOOR



Before installation, consult a qualified professional to carry out structural calculations in accordance with local regulations.

The manufacturer is not liable for any structural collapse or yielding of floors.



Use personal protective equipment PPE and provisional works during installation.



Two operators are required for assembly.



Do not install BT cold rooms without a floor.



BT version cold rooms must all be equipped with:

- Floor
- Compensation valve
- Door edge resistance

Use the supplied hook spanner to mount the equipment.



The panels must be installed with care that, when viewed from the inside of the cold room, the line of the hook holes of each panel is always to the right of the panel itself.



The floor of the facility where the cold room is to be installed must be perfectly level.



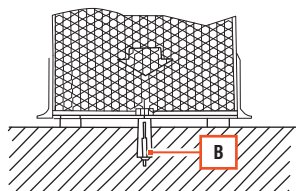
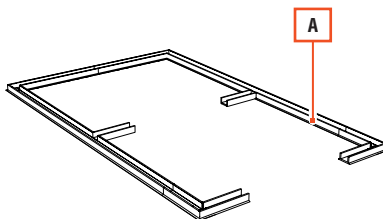
Observe the assembly sequence of the panels as indicated in the enclosed executive drawing.

To carry out the **installation of the cold room without a floor:**

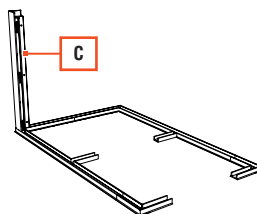
STEP ACTION

PICTURE

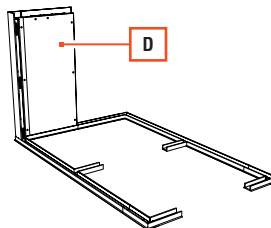
- 1 Trace the perimeter of the cold room and fix the guide (U-profile) **(A)** to the floor with the plugs **(B)**.



- 2 Position the first panel at an angle **(C)**.
Tighten the assembly hooks, not all the way.



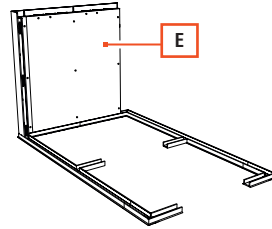
- 3 Position the wall panel **(D)**.
Tighten the assembly hooks, not all the way.



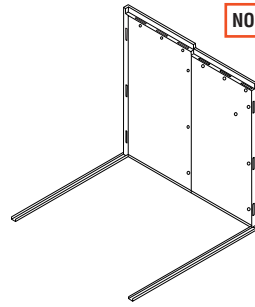
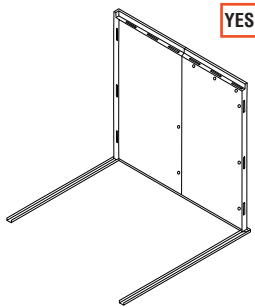
STEP ACTION

PICTURE

4 Place the wall panel (E).

**When installing the panels, check their alignment.**

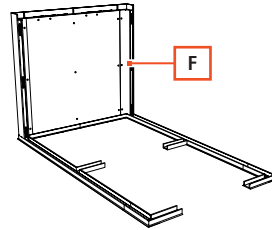
When closing the hooks, the panels move vertically relative to each other. Then limit the movement of the panels by checking that the upper sides are aligned with each other before tightening the hooks.



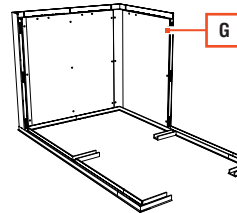
STEP ACTION

PICTURE

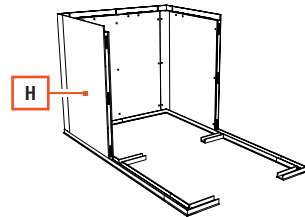
- 5 Position the panel at an angle **(F)**,



- 6 Place the wall panel **(G)**.

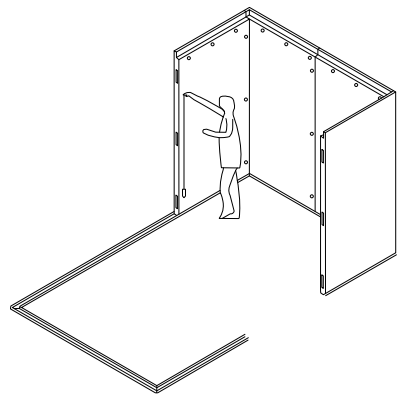


- 7 Position the wall panel **(H)**.



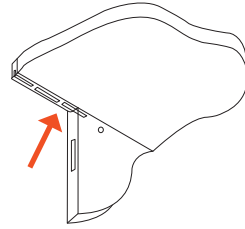
When laying the wall panels (intermediate or corner panels) ensure that they are vertically aligned.

Then tighten the hooks.





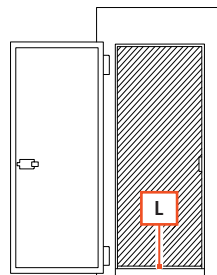
Ensure that the end of the vertical panel always coincides with the hook axis of the ceiling panel as shown in the figure.



STEP	ACTION	PICTURE
8	Position the 'T' panel (I).	
9	Position the wall panel (J).	
10	Place the pre-mounted door buffer on door compartment (K).	



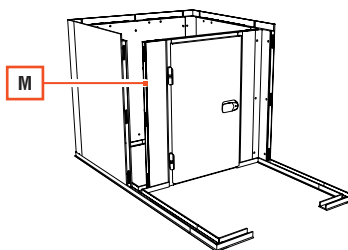
If the cold room is equipped with a pre-assembled, hinged door compartment, remove the 'L' angle profile located at the bottom of the door compartment (L) before installing the door compartment. The profile is provided to prevent damage to the door panel during transport. To remove the profile, use the 4 fixing screws.



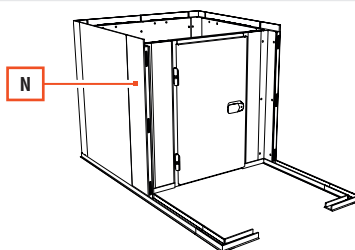
STEP ACTION

PICTURE

- 11 Position the wall panel (M).



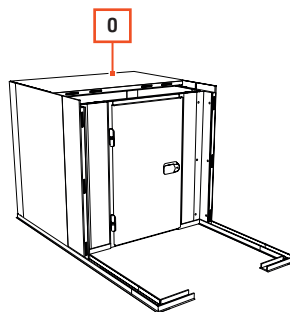
- 12 Position the 'T' panel (N).

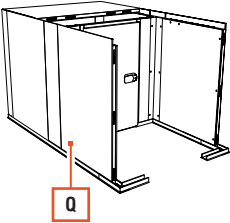
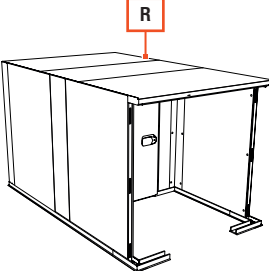
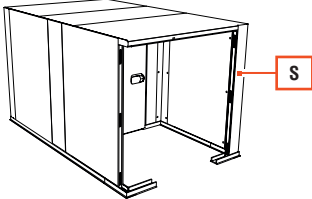
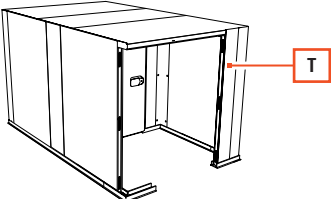


- 13

Position the ceiling panel (O) by wedging it between the wall panel profiles.

Note: the ceiling panel must rest against the wall panels.

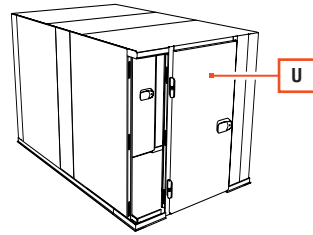


STEP	ACTION	PICTURE
14	Place the wall panel (P).	 A line drawing of a shower enclosure frame. A red arrow points from a box labeled 'P' to the right-hand side wall panel, which is being positioned into the frame.
15	Position the wall panel (Q).	 A line drawing of the shower enclosure frame with the right wall panel in place. A red arrow points from a box labeled 'Q' to the left-hand side wall panel, which is being positioned into the frame.
16	Position the ceiling panels (R).	 A line drawing of the shower enclosure frame with both side wall panels in place. A red arrow points from a box labeled 'R' to the ceiling panels, which are being positioned on top of the frame.
17	Position the panel at an angle (S).	 A line drawing of the shower enclosure frame with ceiling panels in place. A red arrow points from a box labeled 'S' to the right-hand side panel, which is being positioned at an angle to the frame.
18	Place the wall panel (T).	 A line drawing of the shower enclosure frame with ceiling panels and the right side panel in place. A red arrow points from a box labeled 'T' to the left-hand side wall panel, which is being positioned into the frame.

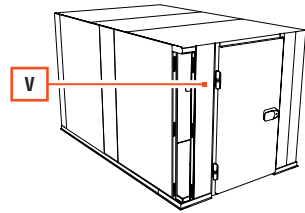
STEP ACTION

PICTURE

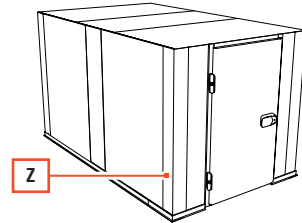
- 19 Place the pre-mounted door buffer on door compartment (**U**).



- 20 Place the wall panel (**V**).



- 21 Position the panel at an angle (**Z**),



- 22 Remove the protective film on the panels (both external and internal).



- 23 Position the end caps at the hook manoeuvring holes.



When finished, check that the assembly is correct, and tighten the assembly hooks, constantly checking that the panels settle correctly into each other.



Ensure that the surfaces are aligned with each other to ensure that the temperature inside the cold room is maintained.

6. CONNECTIONS

6.1. ELECTRICAL CONNECTION



Please refer to the Monoblock refrigeration unit manual enclosed with this manual (if available).



Only qualified technical personnel should carry out the connection of the equipment and installation of the monoblock refrigeration unit.



The electrical connection must be carried out in accordance with the compendium of standards and regulations applicable in the country where the equipment is installed, and a declaration of conformity must be issued.

6.1.1. POWER SUPPLY CONNECTION

Refer to the monoblock refrigeration unit manufacturer's manual and wiring diagrams.

To make a correct electrical connection:

- Set up a residual current circuit breaker
- Check that the mains voltage and frequency correspond to those on the nameplate. A variation $\pm 10\%$ of the rated voltage is allowed
- Connect the equipment to an efficient earthing system. Verify operation and declaration of conformity in accordance with the regulatory compendium of the country of installation
- Install a bipolar cut-off switch with opening of the contacts at least 3 mm, upstream of the plug. This switch is mandatory when the load exceeds 1000 watts or when the equipment is connected directly without the use of a plug. It must therefore be placed in the immediate vicinity of the equipment so that it can be clearly seen by personnel in the event of maintenance
- Check that the cross-section of the power cable is adequate for the power absorbed by the equipment

It is compulsory by law to connect the equipment to an efficient earthing system, declared and verified by the relevant authorities.

Do not connect the electrical plug of the equipment to an extension cord and/or reducer.

Proceed as follows:

STEP	ACTION
------	--------

- | | |
|---|---|
| 1 | Connect the power supply plug to the wall socket. |
|---|---|



WARNING

Electrical hazard. If the power cable is damaged, replace it.



The manufacturer disclaims all liability for incorrect connections, not carried out in a workmanlike manner or by unqualified and authorised technical personnel.

7. CONTROL PANEL



Please refer to the Monoblock refrigeration unit manual enclosed with this manual (if available).

8. USE

Before using the equipment, check that it is in perfect condition. In the presence of faults, the equipment must be decommissioned and the Technical Assistance Service must be contacted.



CAUTION

Keep all the supply and return air ventilation openings inside the equipment free of obstructions.



When the equipment is in STOP mode, keep the door half-open to avoid stagnation.

8.1. FIRST USE



Only specialised technical personnel should carry out the initial start-up of the equipment.

Before switching on, check that:

- The equipment and surrounding surfaces are dry
- The equipment is in a perfectly flat and level position
- The operating parameters have been adjusted (see chapter “CONTROL PANEL”)
- The main switch is in the “0-OFF” position
- There is no direct or indirect contact with live electrical parts



Do not perform operations with wet or damp hands.

Clean the equipment and its components thoroughly before loading the product (see chapter 'CLEANING').

8.2. SWITCH-ON



Please refer to the Monoblock refrigeration unit manual enclosed with this manual (if available).

8.3. PRODUCT LOADING



For proper storage, do not introduce hot products. Wait for the product to cool down before placing it inside the equipment.



Only open the door for the time necessary for loading and unloading products inside the equipment.

Before loading product, wait until the desired temperature inside the equipment has been reached.

Arrange the product so as not to obstruct the circulation of refrigerated air.



Make sure that the cold chain has been respected during transport and/or storage of the product.



The equipment described, complete with motor if applicable, is intended for the storage of goods only.

8.4. SWITCHING OFF



Please refer to the Monoblock refrigeration unit manual enclosed with this manual (if available).

9. CLEANING

9.1. SAFETY WARNINGS FOR CLEANING

**WARNING**

Electrical hazard. Disconnect the power supply before cleaning.

**WARNING**

Electrical hazard. Do not use water jets and/or high-pressure lances to wash the internal and external parts of the equipment.



Strict adherence to the correct hygiene practice manuals, which must be kept and maintained by the HACCP user.

The first cleaning of the equipment must be carried out by specialised personnel.

Observe the following indications:

- Clean the surfaces of the equipment regularly, to avoid deterioration of the equipment materials
- Use only lukewarm water with non-aggressive detergents, then dry damp parts with a soft cloth
- Carry out at least daily periodic cleaning of the loading area to prevent the development and accumulation of bacteria
- Carry out at least one monthly internal cleaning and defrosting if the equipment is used to store frozen or packaged products
- Do not use water jets to wash the internal parts of the equipment
- Do not direct water jets at electrical parts
- Do not use hard metal tools to remove any ice that may have formed.



Use work gloves when carrying out cleaning operations.



Do not use cleaning agents containing chlorine, dilute solutions, caustic soda, abrasive detergents, muriatic acid, bleach or other products that can scratch or sand.



Do not use a steam cleaner to clean the equipment.

Properly sanitise all equipment storage surfaces, any product processing rooms and all equipment. Plan the sanitisation operations so that there is a record of the hygiene and cleaning operations.

9.2. TABLE OF CLEANING OPERATIONS

The following table lists a series of cleaning operations to be carried out according to the recommended frequency.

OPERATION	FREQUENCY				
	DAILY	WEEKLY	MONTHLY	EVERY 6 MONTHS	YEARLY
Cleaning the loading area	■				
External cleaning		■			
Cleaning the inside of the door near the gaskets		■			
Cleaning the floor panel		■			
Cleaning inside			■		



Strict adherence to the correct hygiene practice manuals, which must be kept and maintained by the HACCP user.

9.3. CLEANING THE FLOOR PANEL

To **clean the floor panel**:

- Use mild detergent in warm water with a damp cloth
- Use a soft cloth
- Use the correct detergent solutions
- Check the joint between the floor panels
- Check the joint between the floor panels and the walls
- Do not use abrasive products
- Do not clean the floor panel with pressure machinery.

9.4. CLEANING THE MONOBLOCK REFRIGERATION UNIT (IF PRESENT)



Please refer to the Monoblock refrigeration unit manual enclosed with this manual (if available).

10. MAINTENANCE



WARNING

Electrical hazard. Disconnect the power supply before carrying out maintenance work.



CAUTION

The ceiling panel is not walkable. Only one person weighing a maximum of 80 kg is permitted.



Only authorised technical personnel should service the equipment.

10.1. ROUTINE MAINTENANCE

Ensure smooth operation over time of the equipment by performing periodic/preventive checks and maintenance.

10.1.1. INSPECTING AFTER DELIVERY

The following table lists a series of checks and interventions that need to be carried out according to the recommended frequency.

OPERATION	FREQUENCY			
	MONTHLY	EVERY 2 MONTHS	EVERY 6 MONTHS	YEARLY
Check that the door seal and the door itself close properly.		■		



Please refer to the Monoblock refrigeration unit manual enclosed with this manual (if available).

10.2. EXTRAORDINARY MAINTENANCE

Extraordinary maintenance includes service, repair, and restoration of nominal operating conditions or replacement of a faulty, defective or worn component.

10.2.1. REPLACEMENT OF MONOBLOCK REFRIGERATION UNIT (IF FITTED)



Please refer to the Monoblock refrigeration unit manual enclosed with this manual (if available).

11. DIAGNOSTICS



Please refer to the Monoblock refrigeration unit manual enclosed with this manual (if available).

12. DECOMMISSIONING AND DISPOSAL

12.1. LONG PERIODS OF INACTIVITY

If the equipment is not used for a long period of time (more than 2-3 weeks):

STEP	ACTION
1	Disconnect the power supply.
2	Carry out a thorough cleaning of the equipment (see chapter ' CLEANING ').

12.2. DISPOSAL



The electrical and electronic equipment that make up the appliance, such as lamps, electronic controls, electrical switches, electric motors and other electrical material in general, must be disposed of and/or recycled separately from urban waste according to the procedures of the regulations in force on the subject in each country.

Do not disperse materials in the environment.

In addition, all materials constituting the product, such as sheet metal, plastic, rubber, glass, etc., must be recycled and/or disposed of in accordance with the procedures of the relevant regulations.

Illegal or incorrect disposal of the equipment entails application of the sanctions required by the current legislation.

Do not disperse the cooling fluid and oil in the environment.

Make the equipment, destined for dismantling, unusable by removing the power supply cables.

13. ATTACHMENTS

